

Item # & Motor Specification

All Part #'s Begin With "ASK"

AMK170000	230V/50Hz, 3.7kW
AMK170001	230V/50Hz, 3.7kW
AMK172001	230V/50Hz, 3.0kW

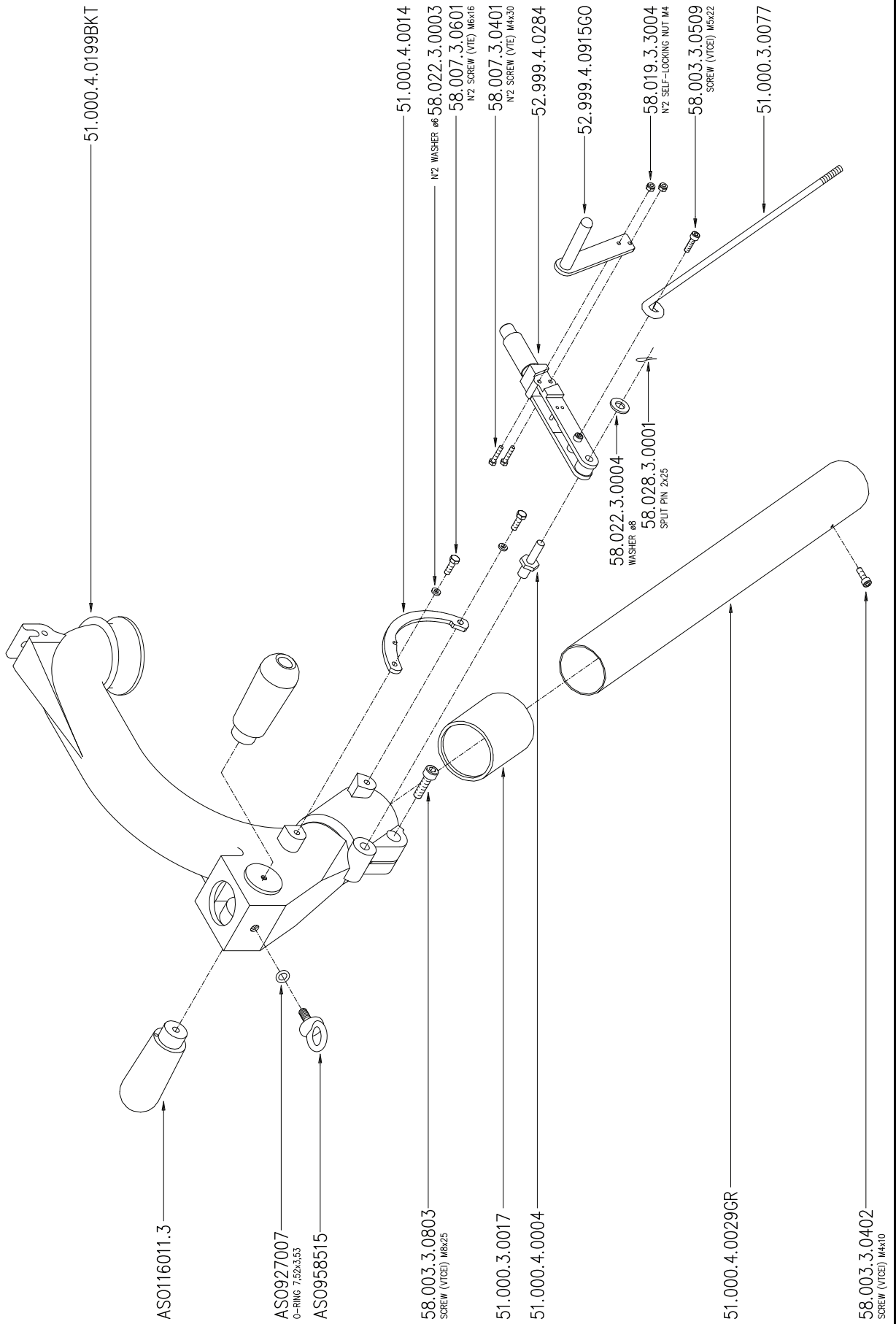
AMK171000	400V/50Hz, 3.0kW
AMK172000	230V/50Hz, 3.0kW
AMK170002	230V/60Hz, 3.0kW

Bona Belt HD



52.999.4.0281BKT

COMPLETE HANDLE RAL 9006



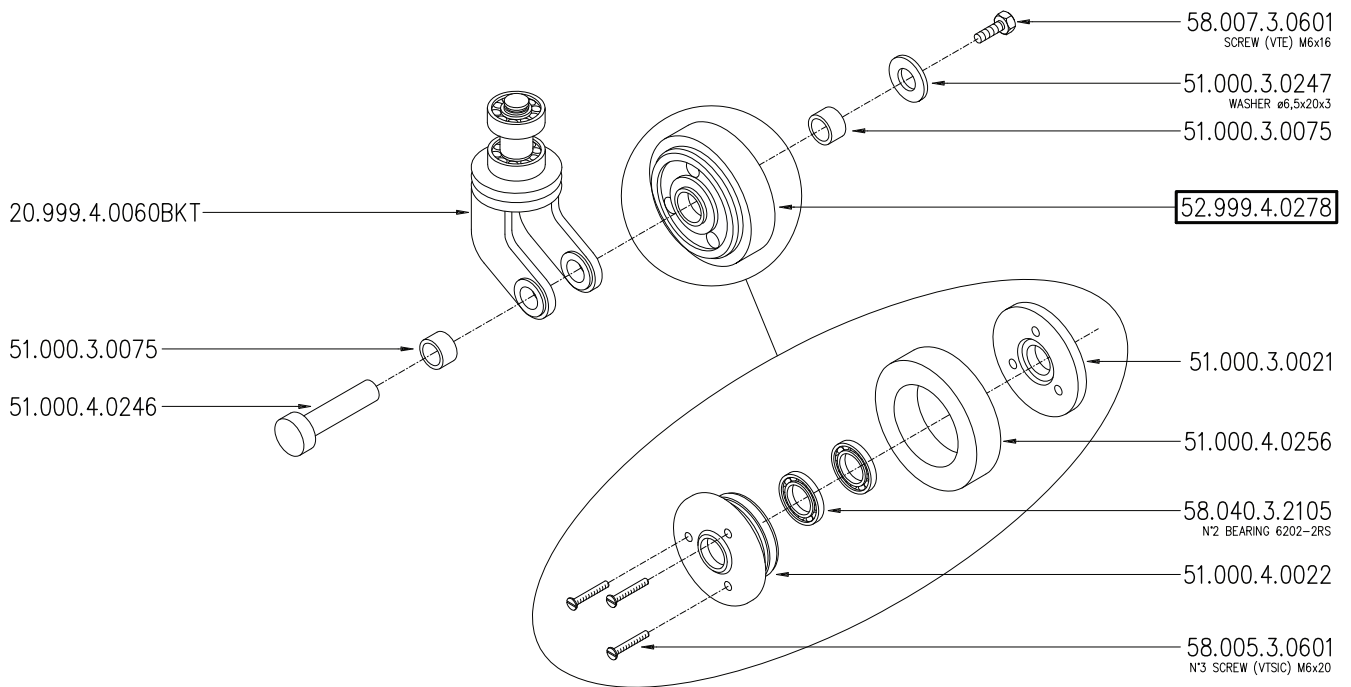
All Part #'s Begin With "ASK"

Bona Belt HD



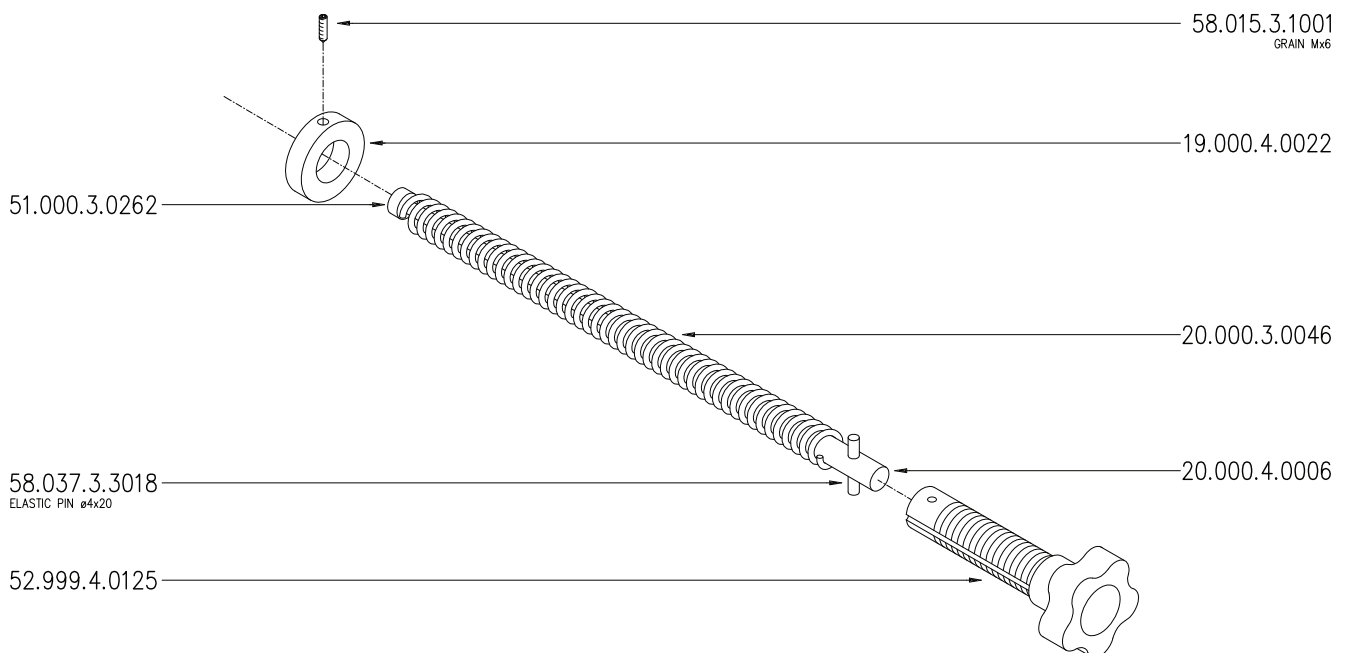
52.999.4.0272BKT

SWIVEL CASTER RAL 9006



20.999.4.0025

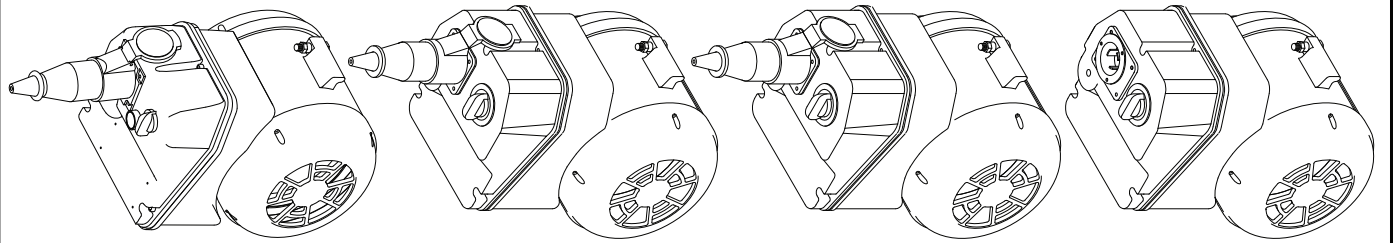
DRUM PRESSURE ADJUSTMENT DEVICE



All Part #'s Begin With "ASK"

Bona Belt HD





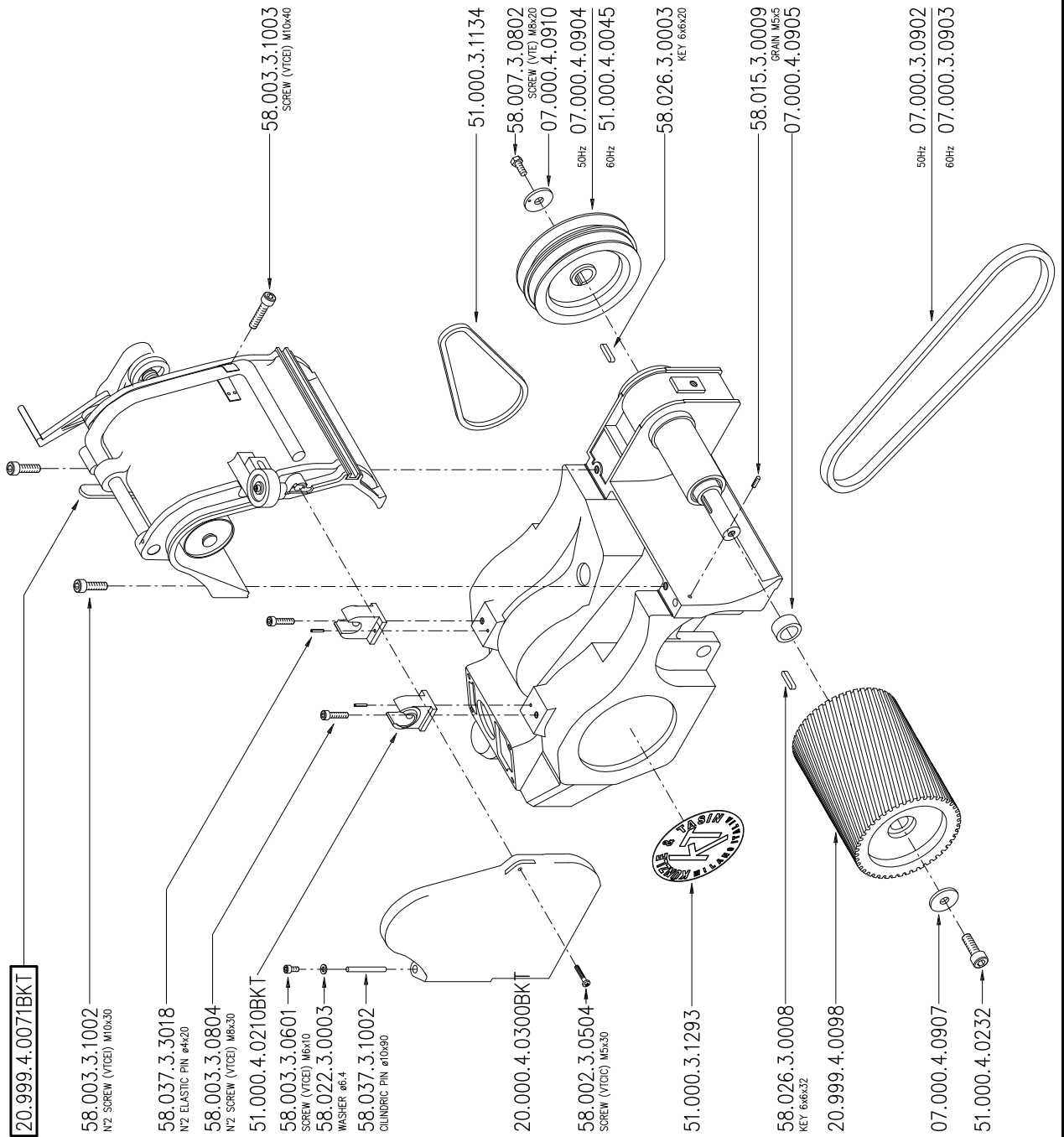
21.999.4.0065BKT
COMPLETE MOTOR 3KW
400V/50Hz - RAL 9006

21.999.4.0090BKT
COMPLETE MOTOR 2.5KW
230V/50Hz - RAL 9006

21.999.5.0060BKT
COMPLETE MOTOR 3KW
230V/50Hz - RAL 9006

21.999.5.0070BKT
COMPLETE MOTOR 3.7KW
(5HP) 230V/50Hz - RAL 9006

21.999.5.0061BKT
COMPLETE MOTOR 3KW
220V/60Hz - RAL 9006



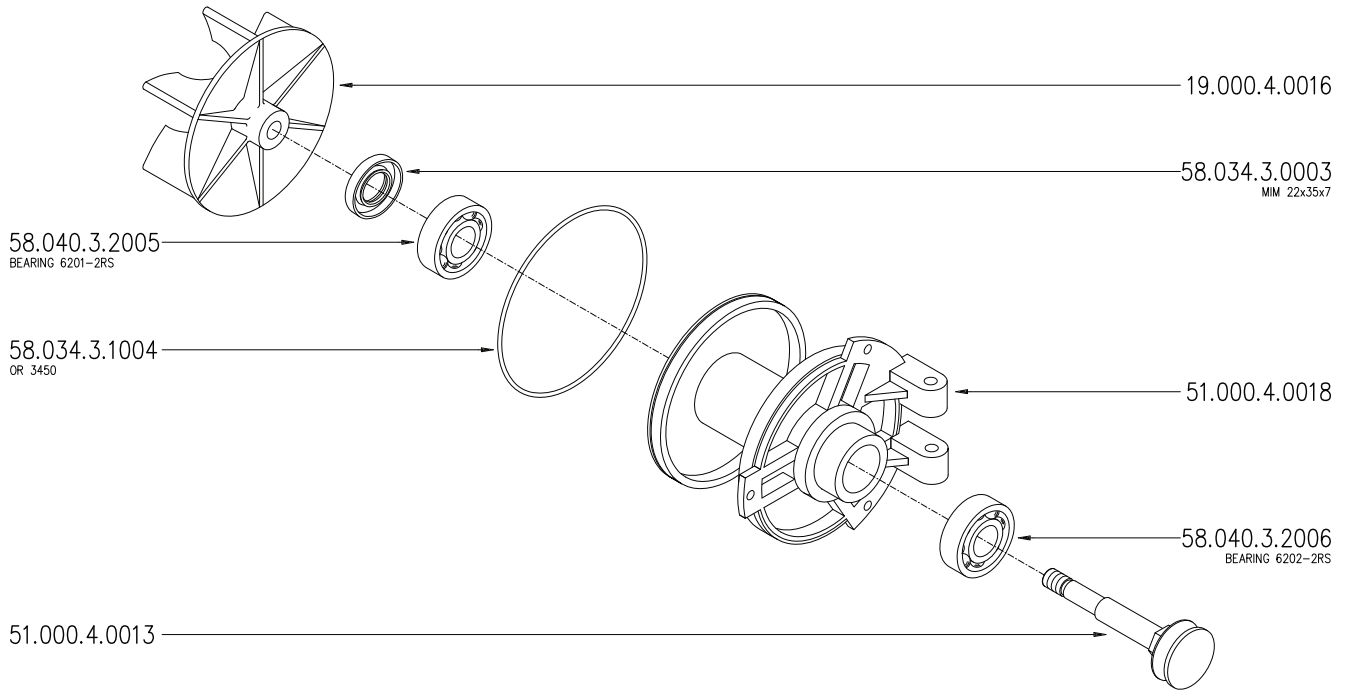
All Part #'s Begin With "ASK"

Bona Belt HD

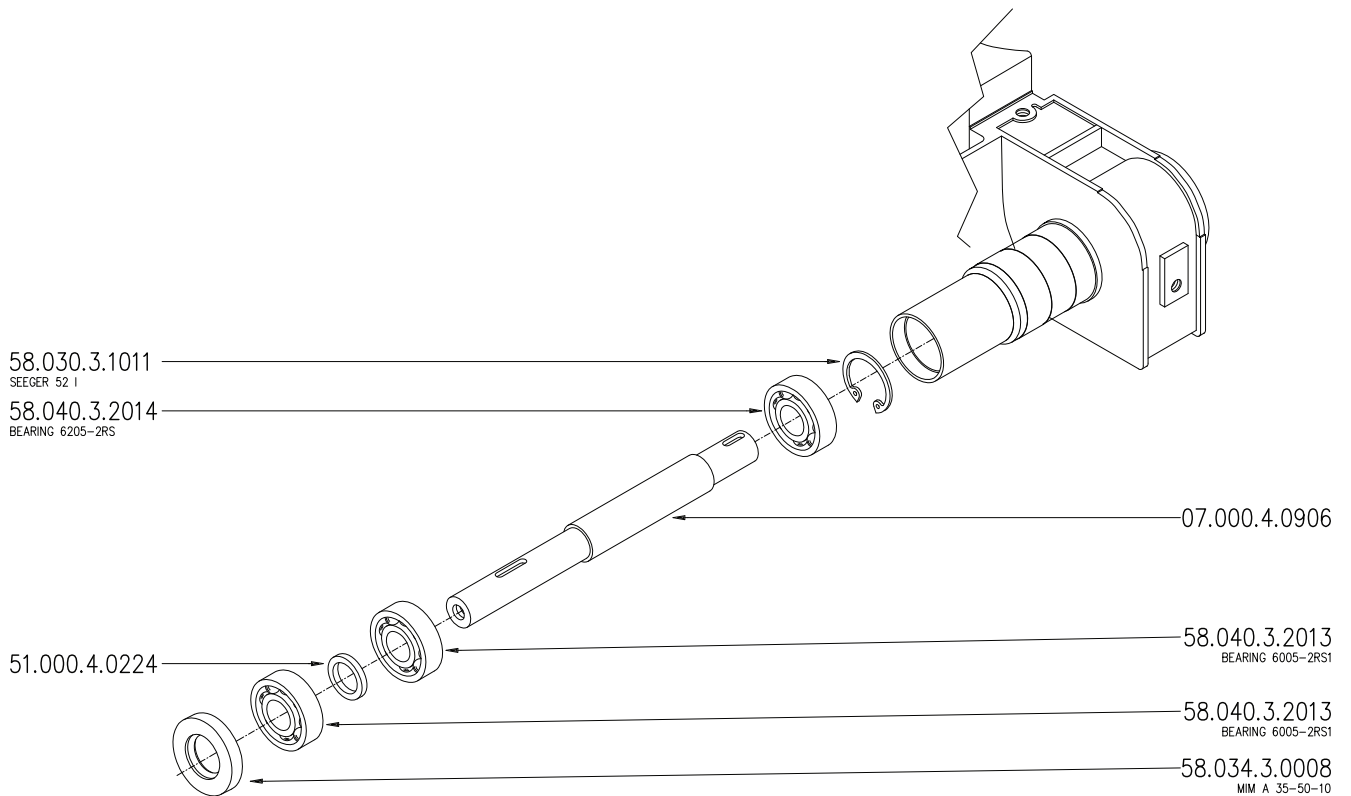


52.999.4.0271

SUCTION GROUP



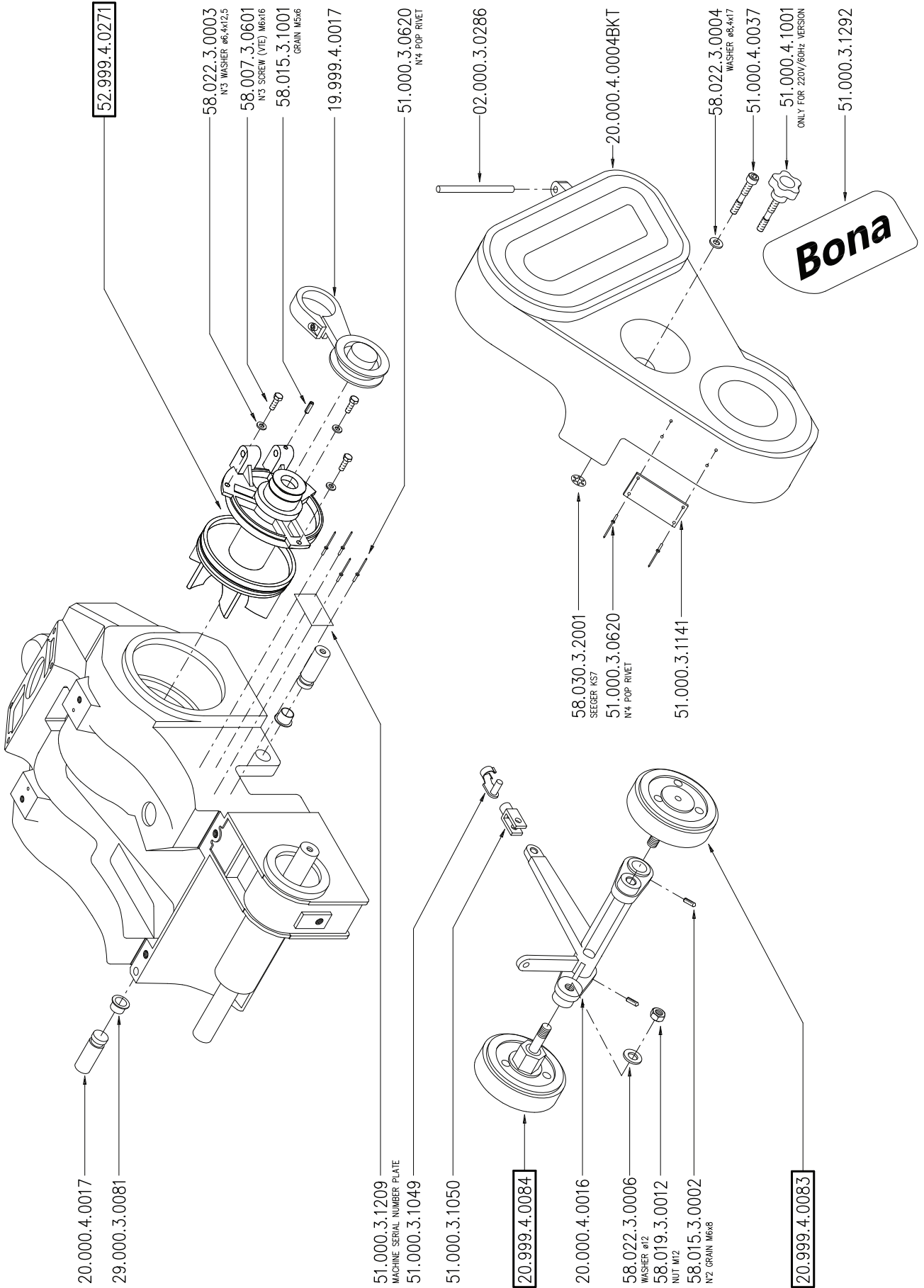
BUSH DRUM GROUP



All Part #'s Begin With "ASK"

Bona Belt HD





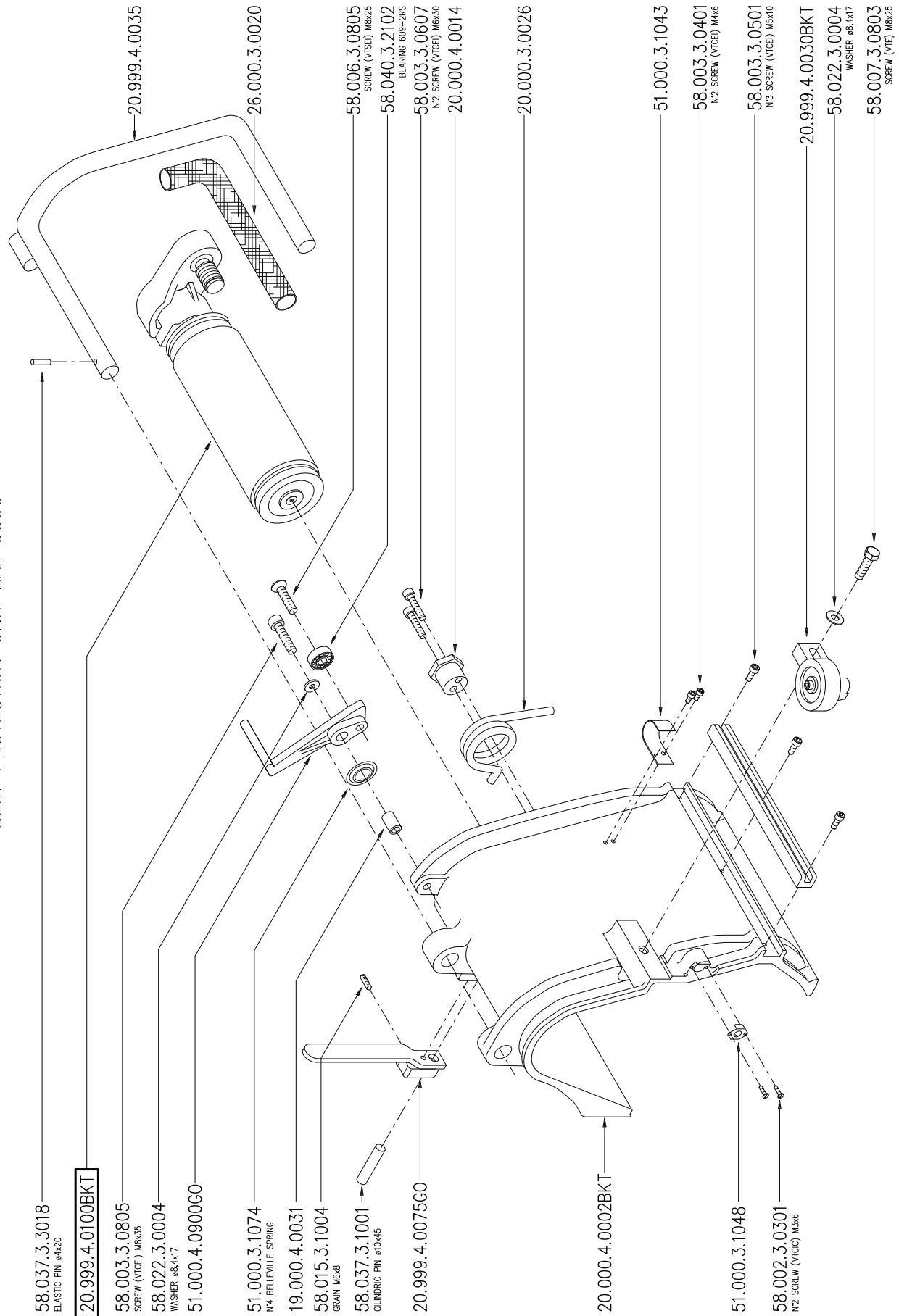
All Part #'s Begin With "ASK"

Bona Belt HD



20.999.4.0071BKT

BELT PROTECTION UNIT RAL 9006



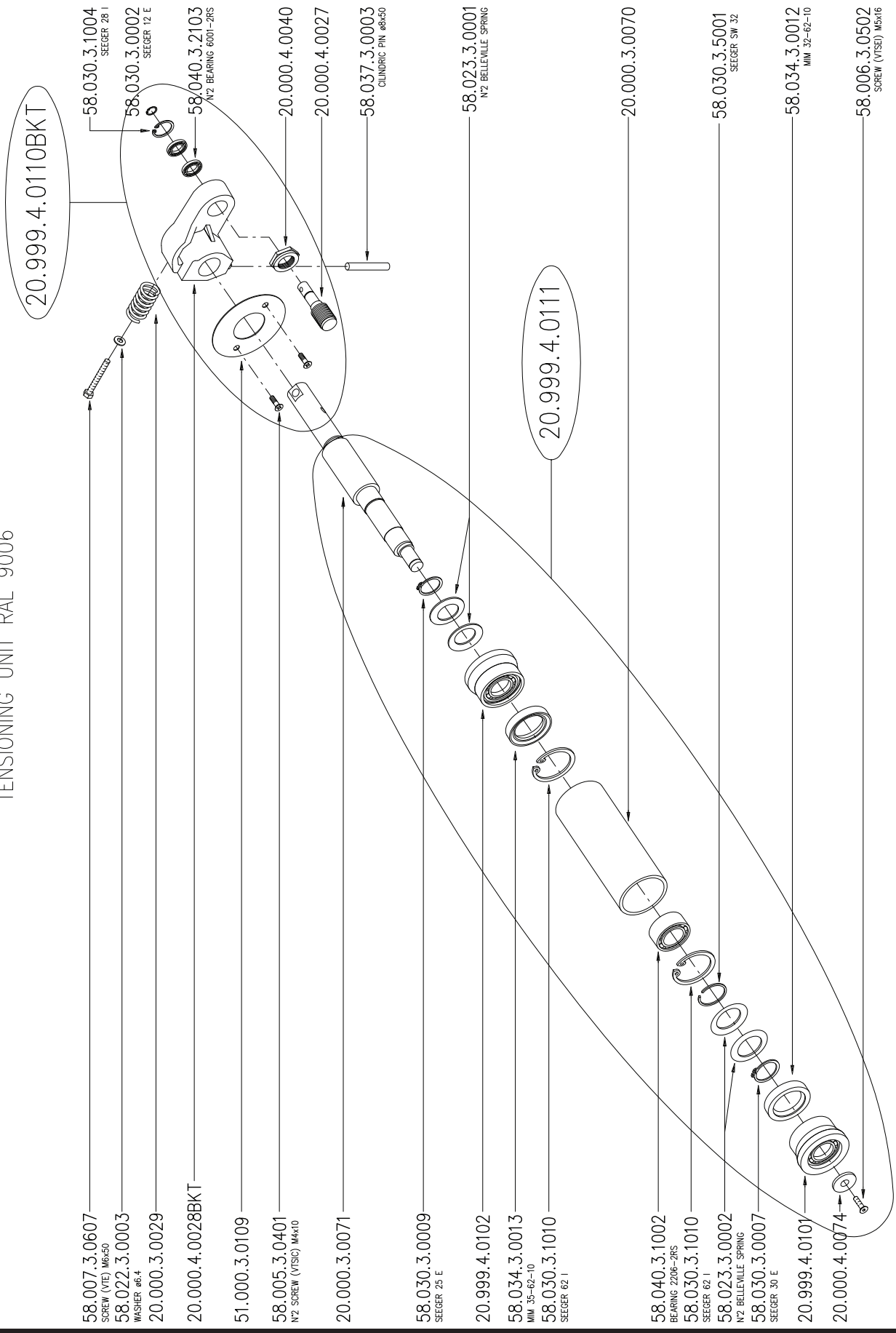
All Part #'s Begin With "ASK"

Bona Belt HD



20.999.4.0100BKT

TENSIONING UNIT RAL 9006



- 58.007.3.0607
SCREW (VTE) M6x50
- 58.022.3.0003
WASHER ø6.4
- 20.000.3.0029
- 20.000.4.0028BKT
- 51.000.3.0109
- 58.005.3.0401
N2 SCREW (VTSE) M4x10
- 20.000.3.0071
- 58.030.3.0009
SEGER 25 E
- 20.999.4.0102
- 58.034.3.0013
MM 35-62-10
- 58.030.3.1010
SEGER 62 I
- 58.040.3.1002
BEARING 2206-ZRS
- 58.030.3.1010
SEGER 62 I
- 58.023.3.0002
N2 BELLEVILLE SPRING
- 58.030.3.0007
SEGER 30 E
- 20.999.4.0101
- 20.000.4.0074
- 58.030.3.1004
SEGER 28 I
- 58.030.3.0002
SEGER 12 E
- 58.040.3.2103
N2 BEARING 6001-ZRS
- 20.000.4.0040
- 20.000.4.0027
- 58.037.3.0003
CYLINDRIC PIN ø8x50
- 58.023.3.0001
N2 BELLEVILLE SPRING
- 20.000.3.0070
- 58.030.3.5001
SEGER SW 32
- 58.034.3.0012
MM 32-62-10
- 58.006.3.0502
SCREW (VTSE) M6x16

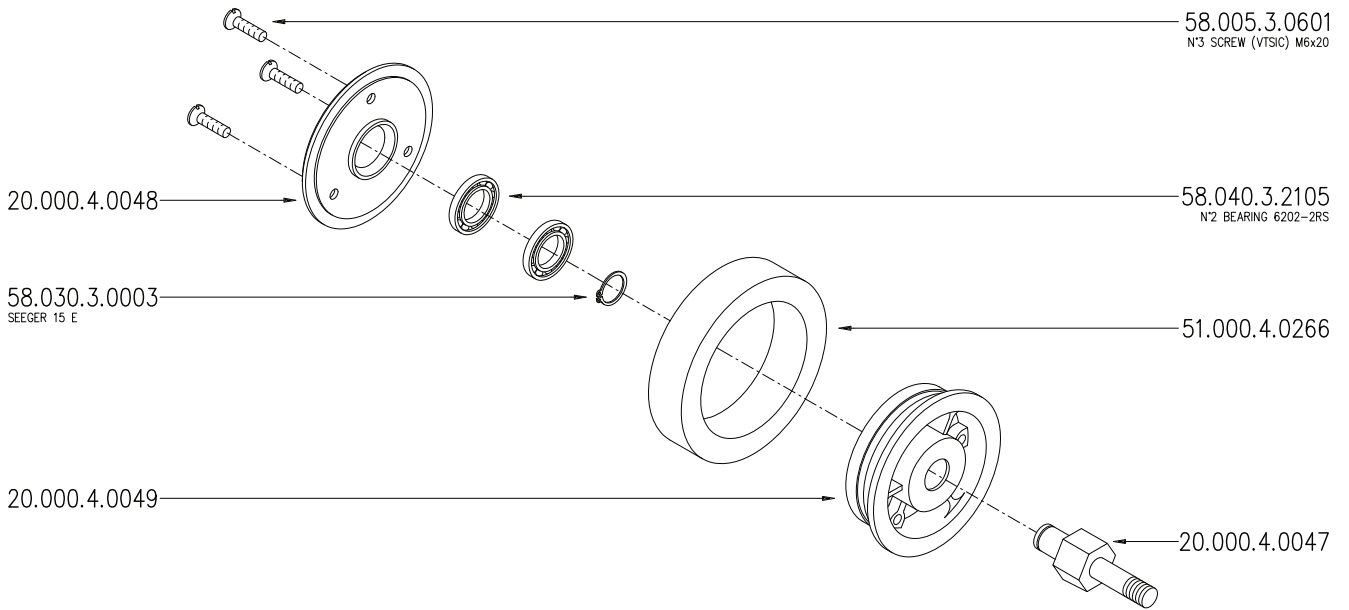
All Part #'s Begin With "ASK"

Bona Belt HD



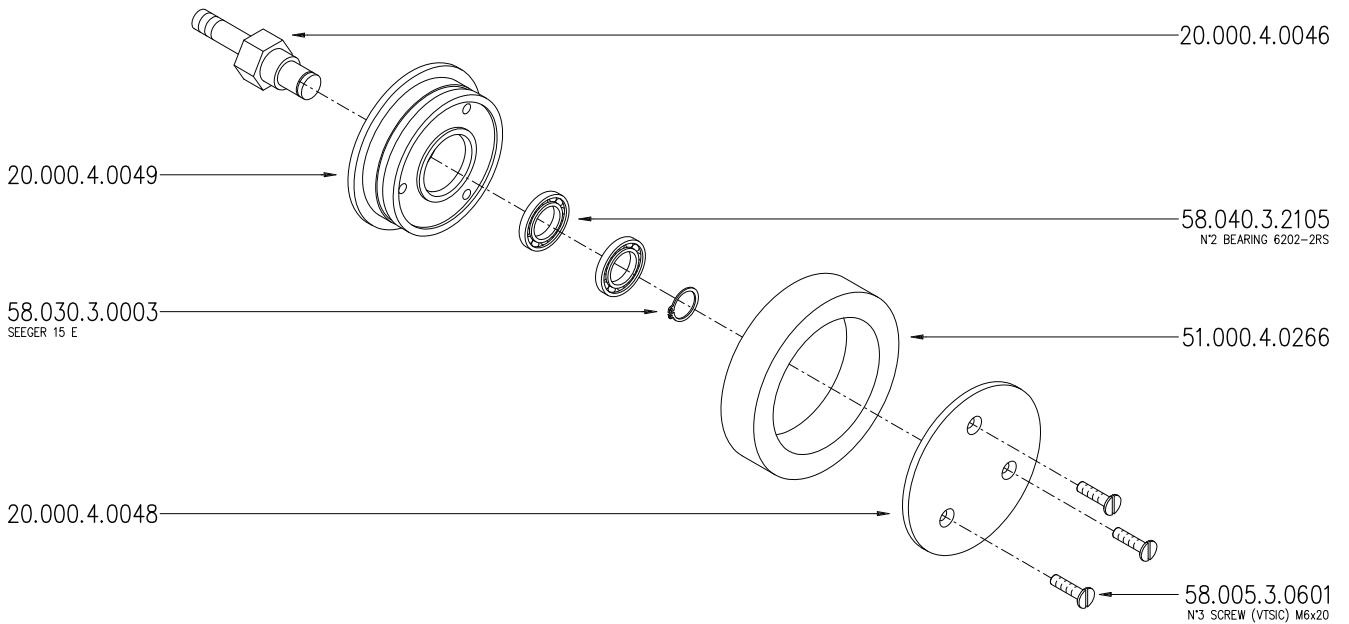
20.999.4.0084

FIX SIDE WHEEL



20.999.4.0083

ECCENTRIC SIDE WHEEL



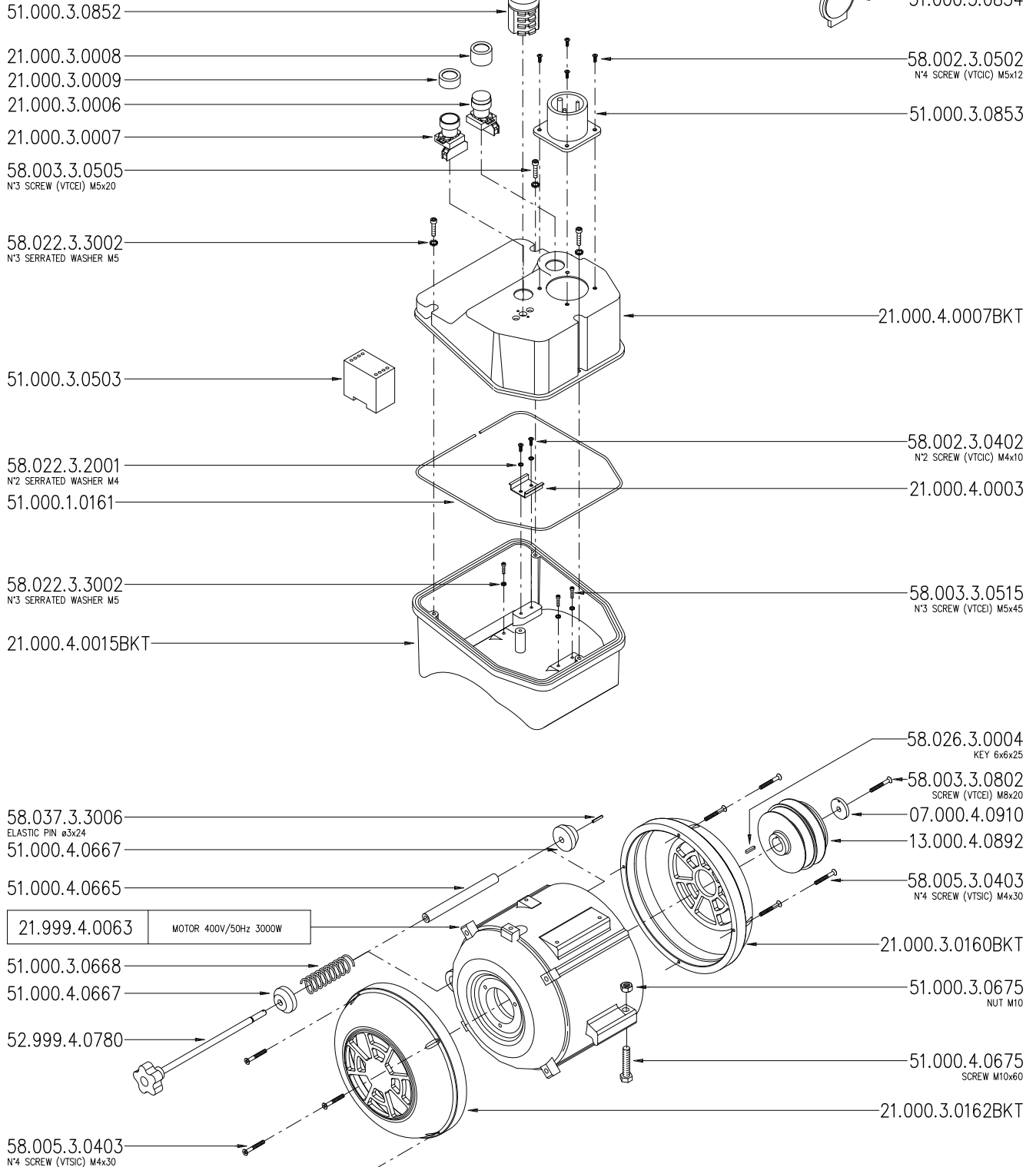
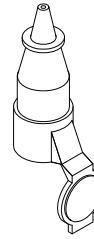
All Part #'s Begin With "ASK"

Bona Belt HD

by **KT** KÜNZLE & TASIN

21.999.4.0065BKT

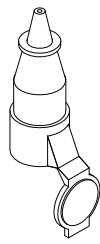
COMPLETE MOTOR 3KW 400V/50Hz RAL 9006



All Part #'s Begin With "ASK"

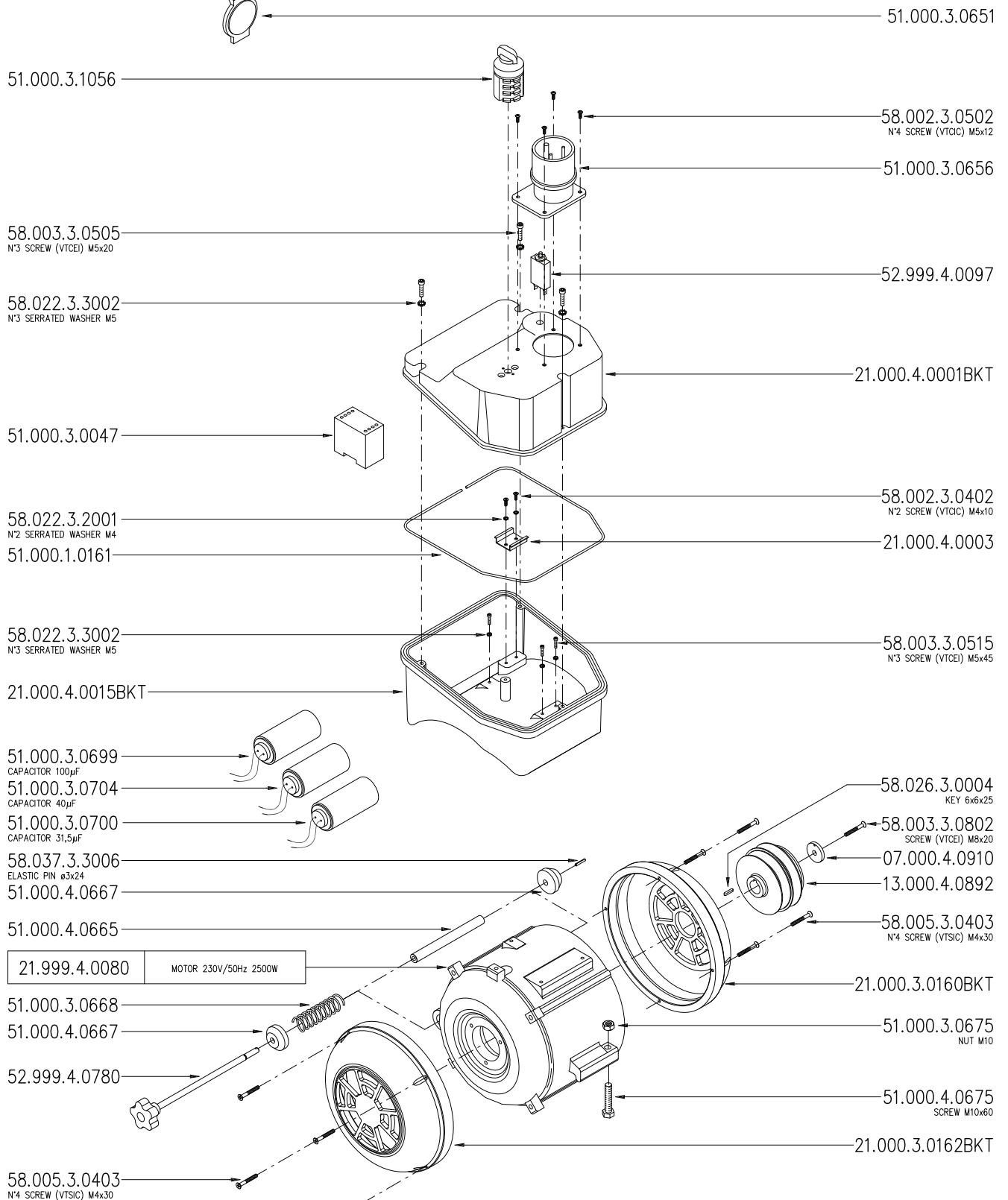
Bona Belt HD





21.999.4.0090BKT

COMPLETE MOTOR 2,5KW 230V/50Hz RAL 9006



All Part #'s Begin With "ASK"

Bona Belt HD

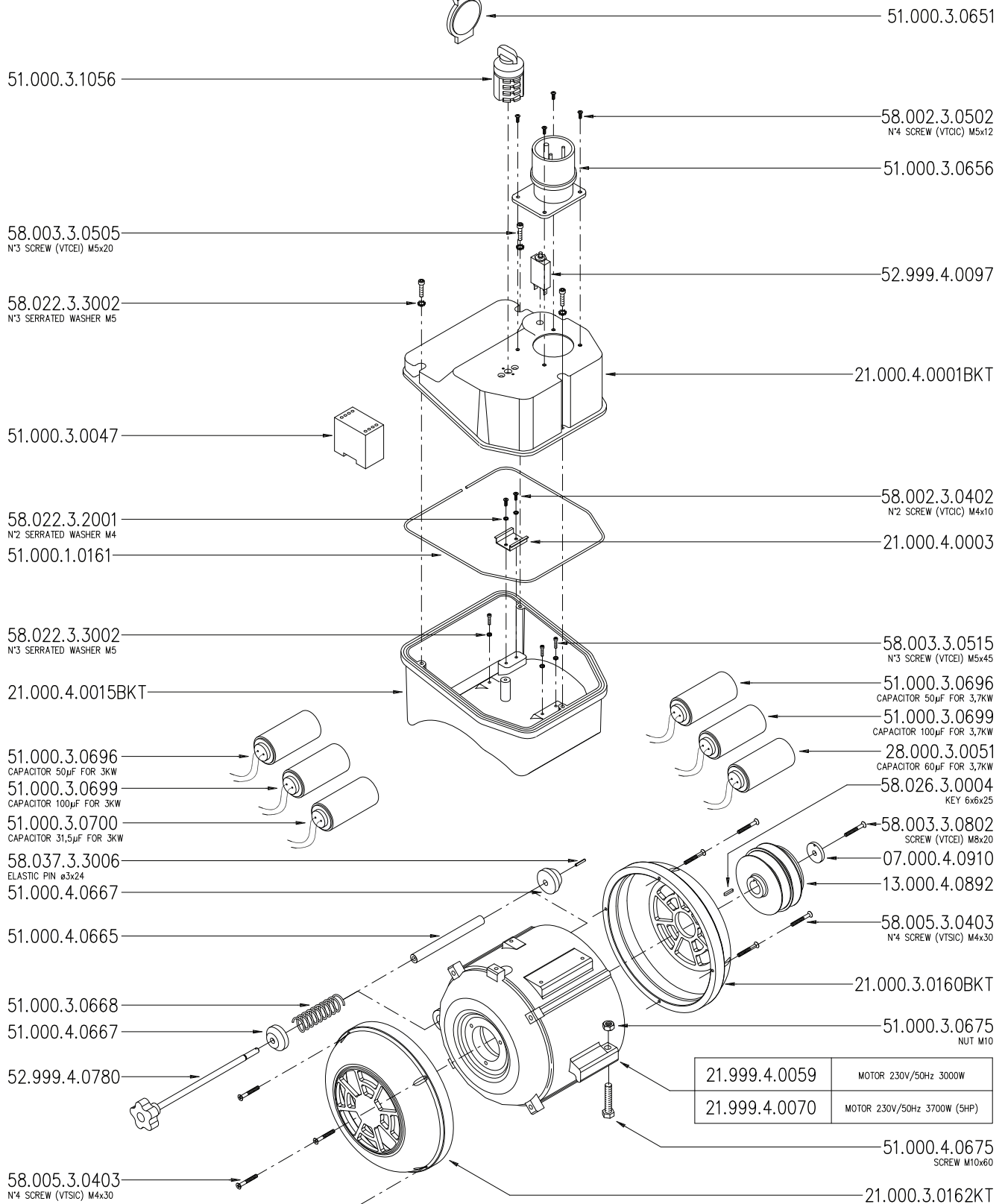


21.999.5.0060BKT

COMPLETE MOTOR 3KW 230V/50Hz

21.999.5.0070BKT

COMPLETE MOTOR 3,7KW (5HP) 230V/50Hz



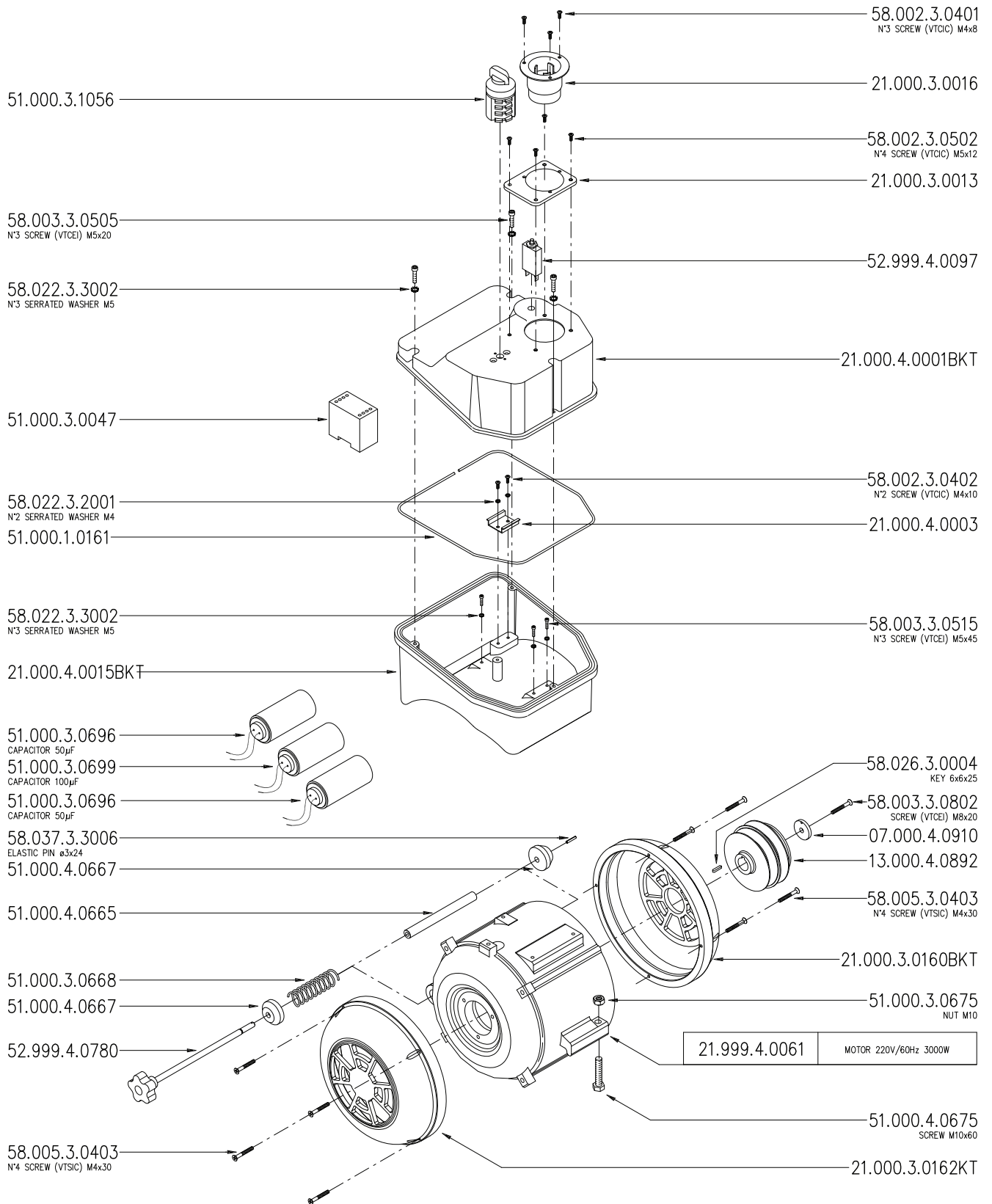
All Part #'s Begin With "ASK"

Bona Belt HD



21.999.5.0061BKT

COMPLETE MOTOR 3KW 220V/60Hz



All Part #'s Begin With "ASK"

Bona Belt HD

