

Item # & Motor Specification

All Part #'s Begin With "ASK"

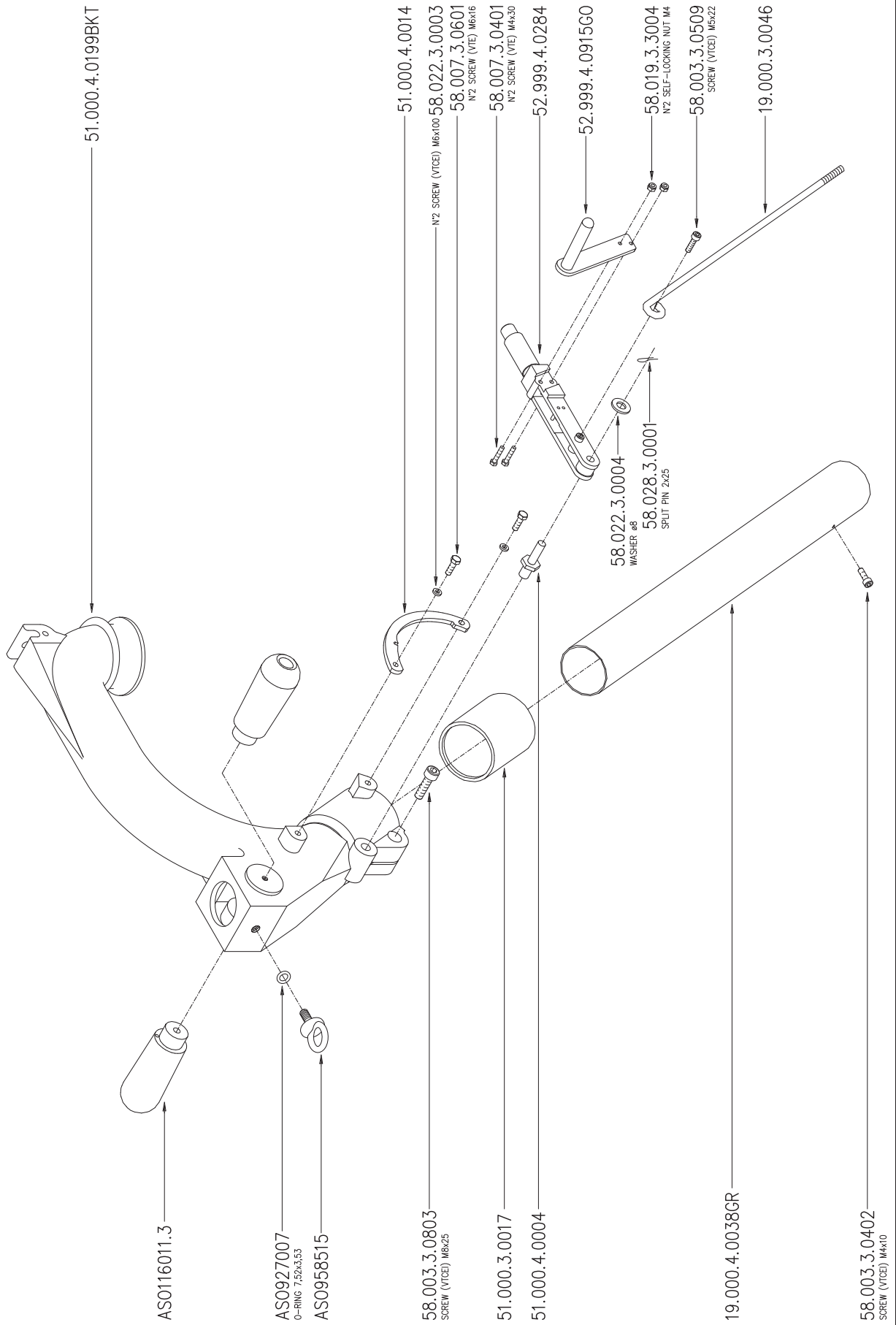
AMK175000	230V/50Hz, 2.2kW
AMK175001	230V/50Hz, 2.2kW
AMK175011	220V/60Hz, 2.2kW

# Bona Belt Lite



# 19.999.4.0025BKT

COMPLETE HANDLE RAL 9006

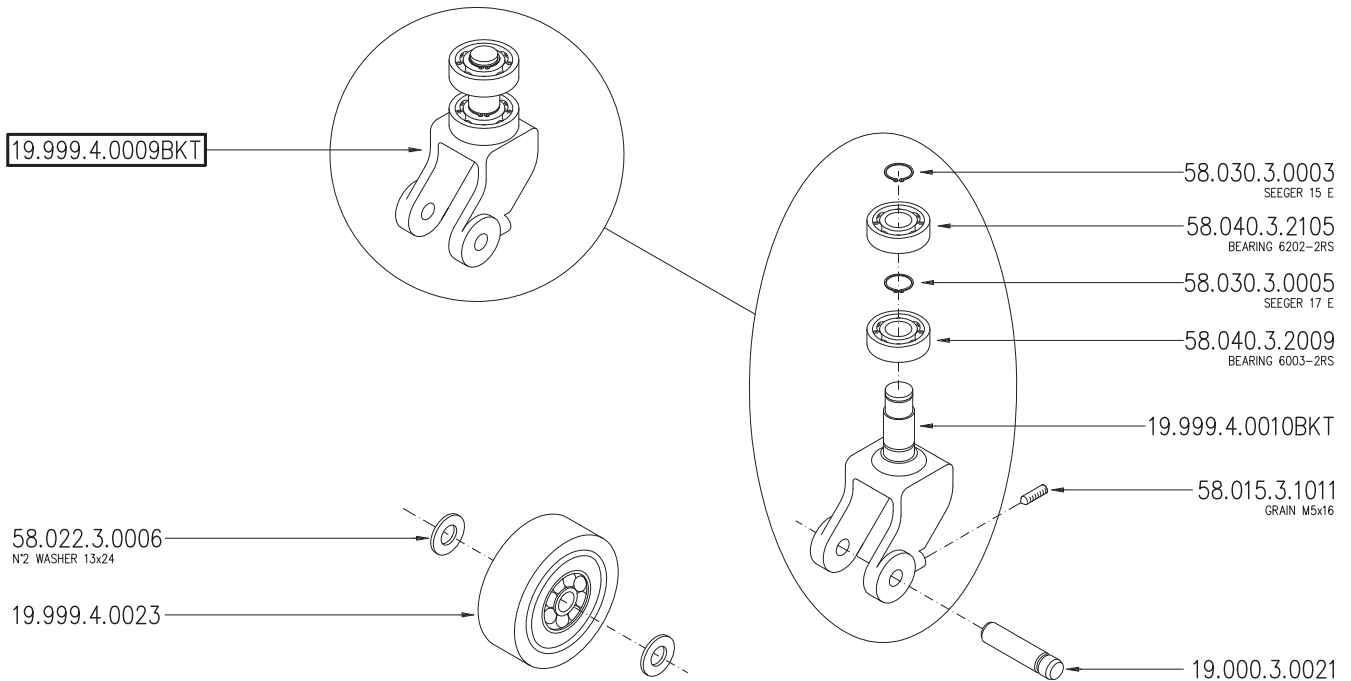


## Bona Belt Lite



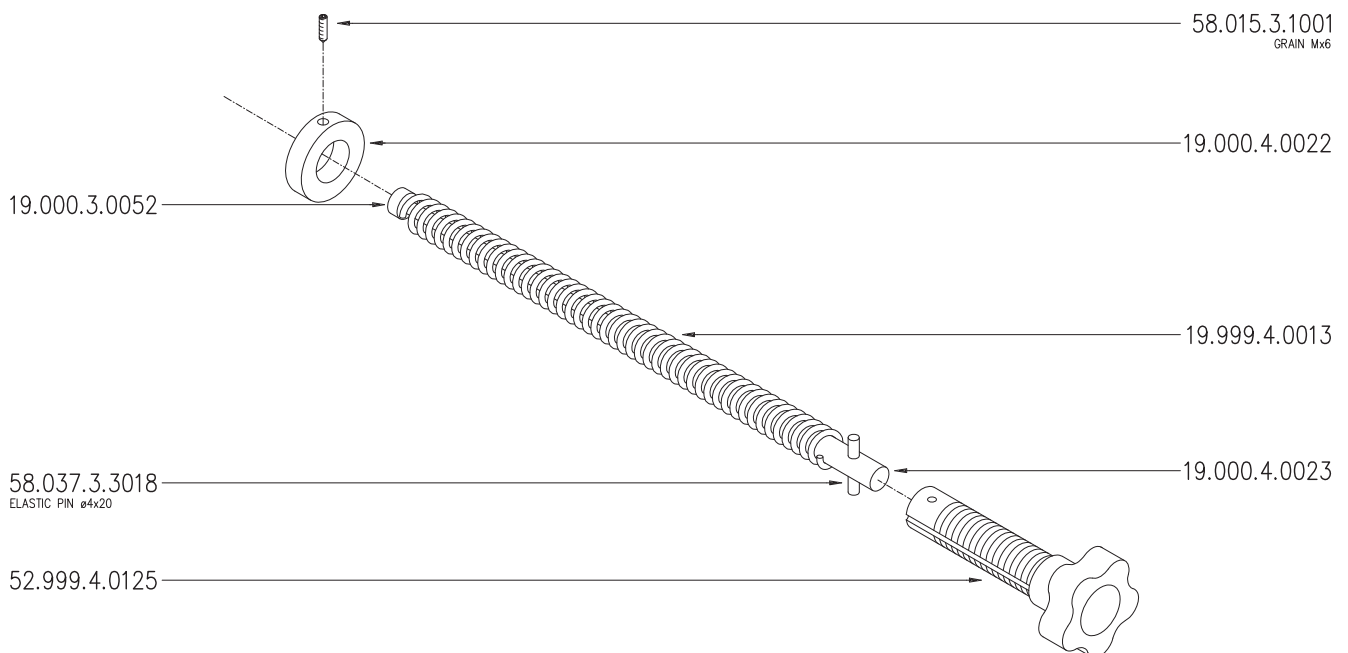
# 19.999.4.0008BKT

SWIVEL CASTER RAL 9006

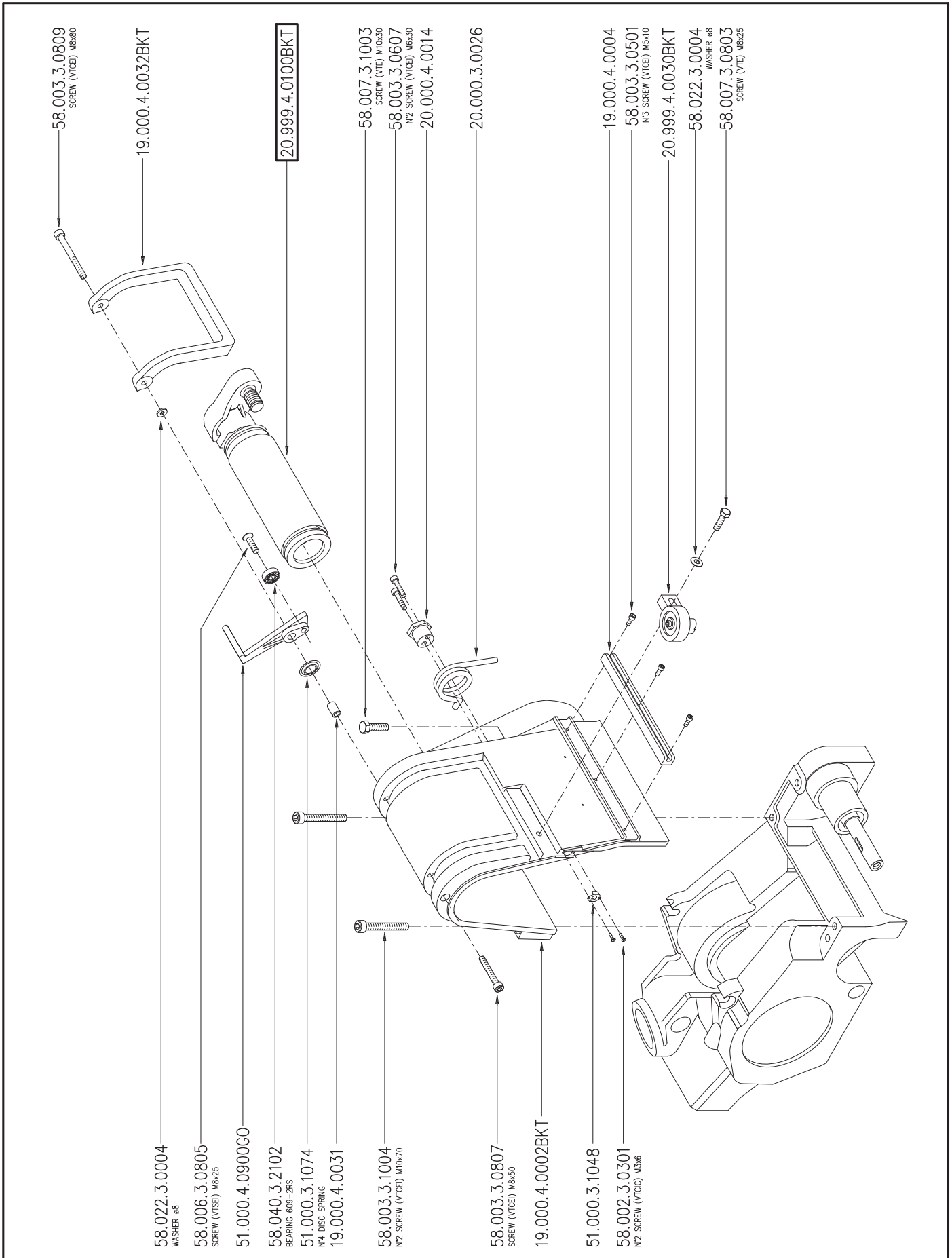


# 19.999.4.0012

DRUM PRESSURE ADJUSTMENT DEVICE



Bona Belt Lite  KÜNZLE & TASIN

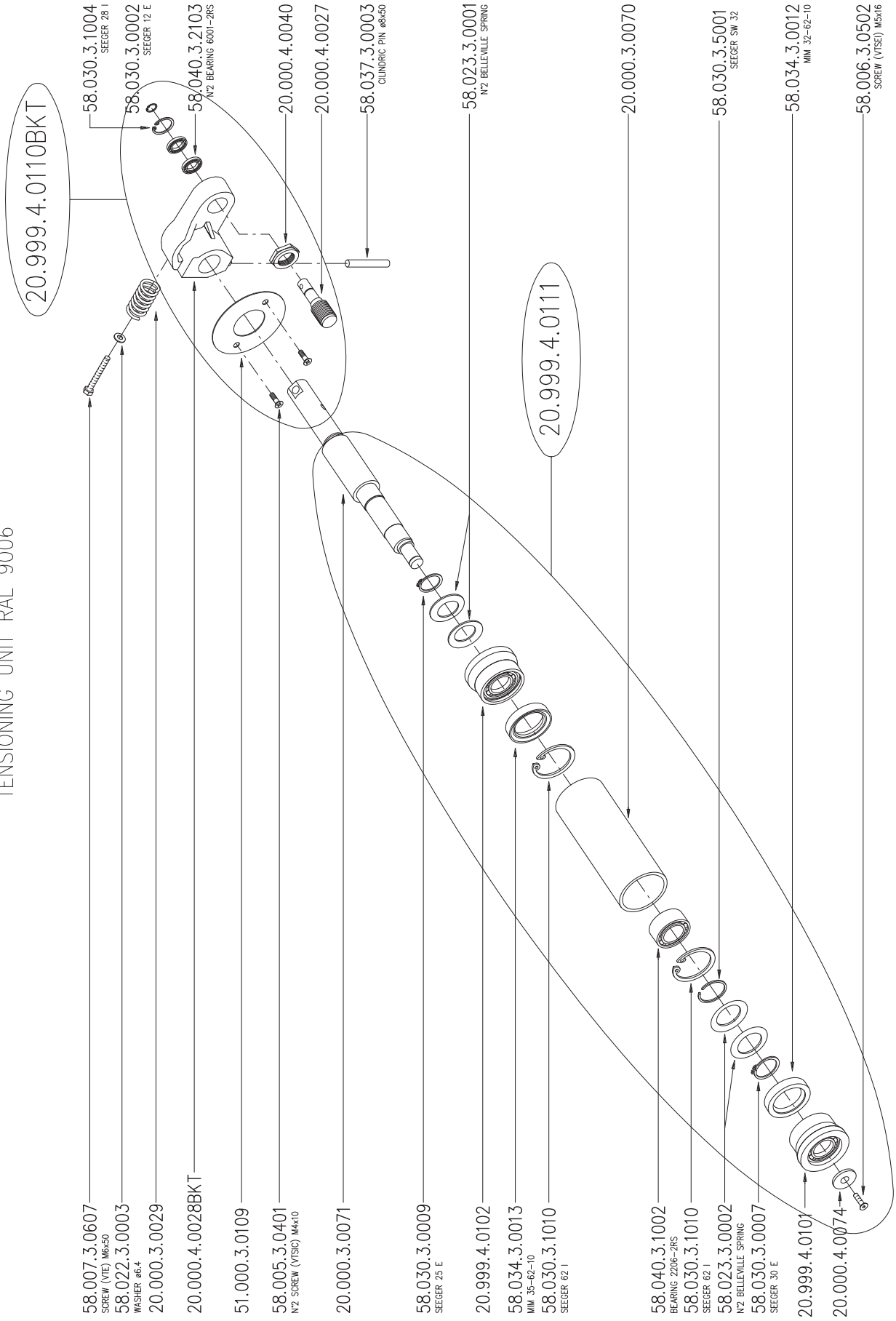


# Bona Belt Lite



# 20.999.4.0100BKT

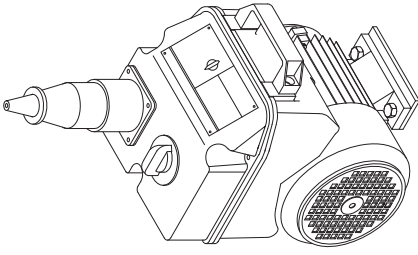
TENSIONING UNIT RAL 9006



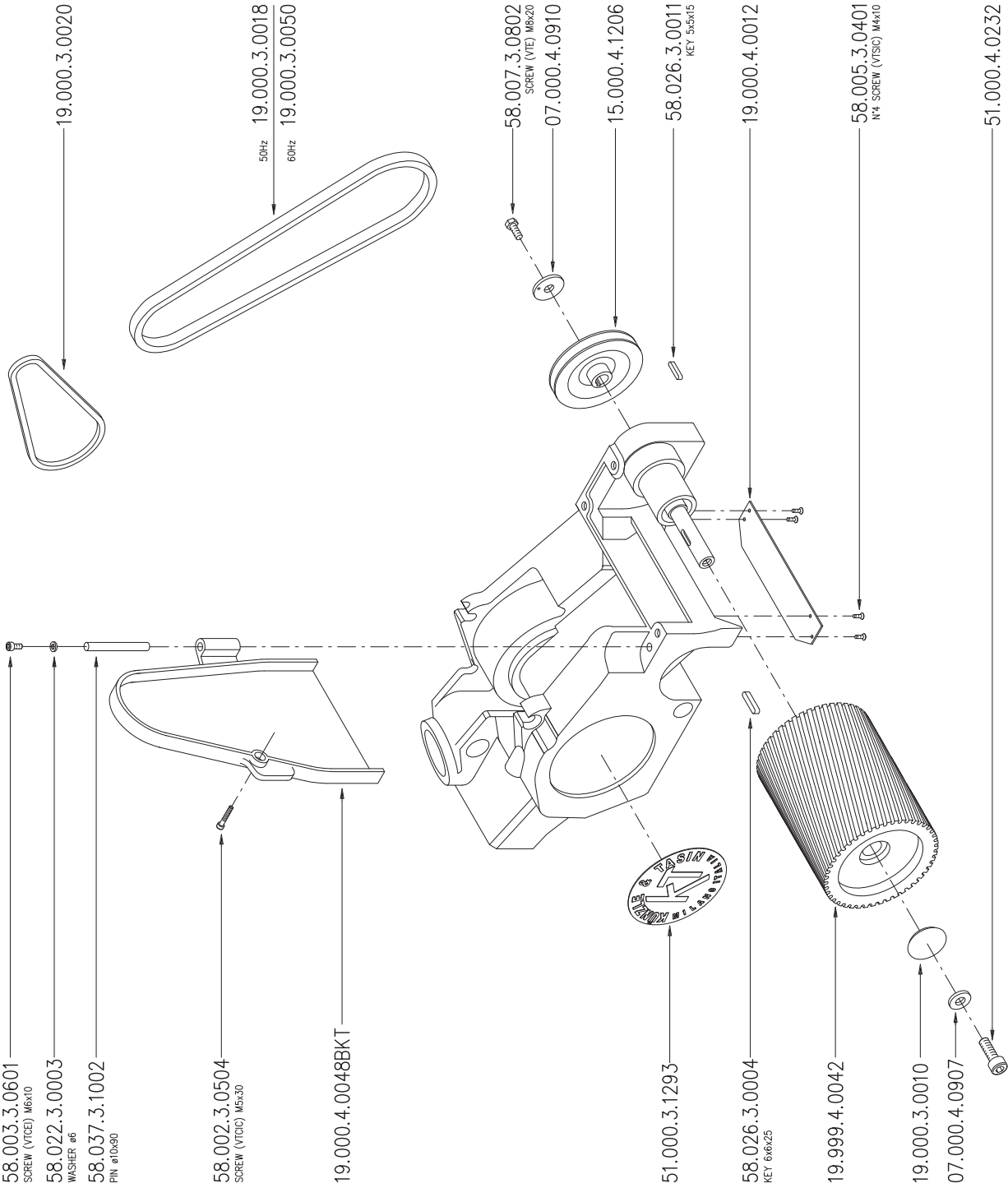
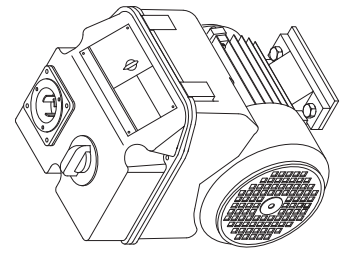
## Bona Belt Lite



23.999.5.0000BKT  
COMPLETE MOTOR 2.2KW  
230-240V/50Hz  
RAL 9006



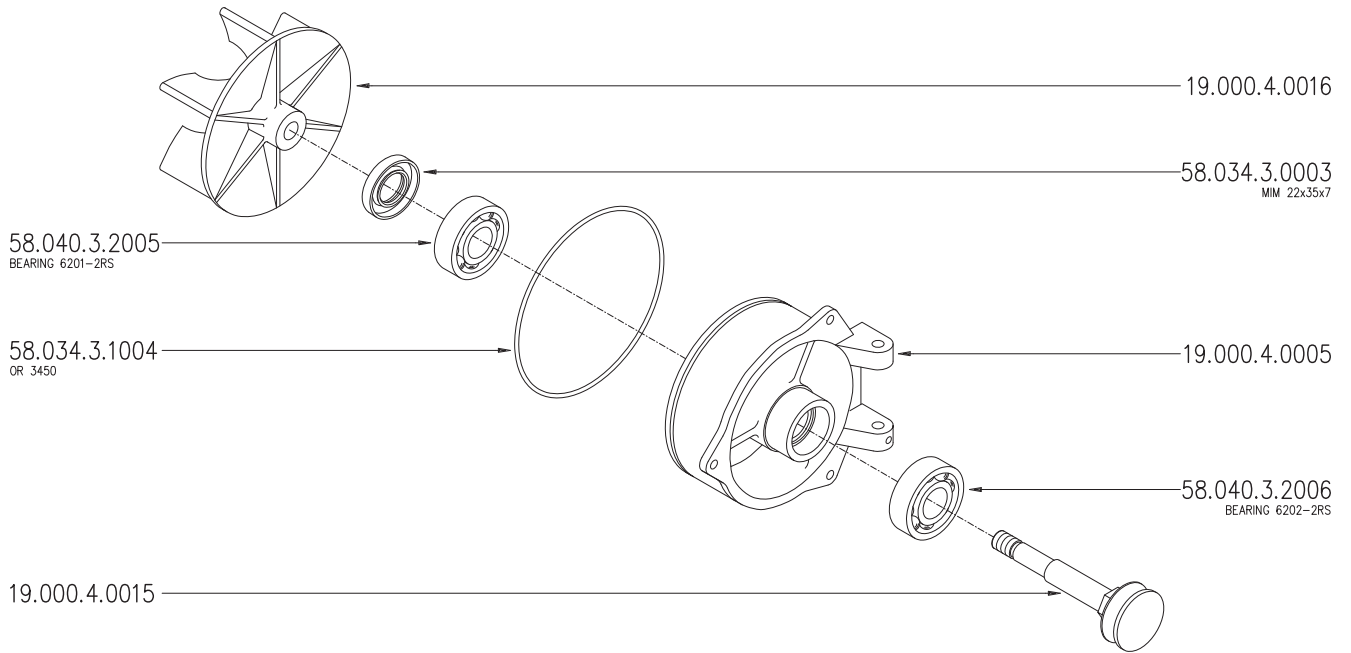
23.999.5.0003BKT  
COMPLETE MOTOR 2.2KW  
220V/60Hz  
RAL 9006



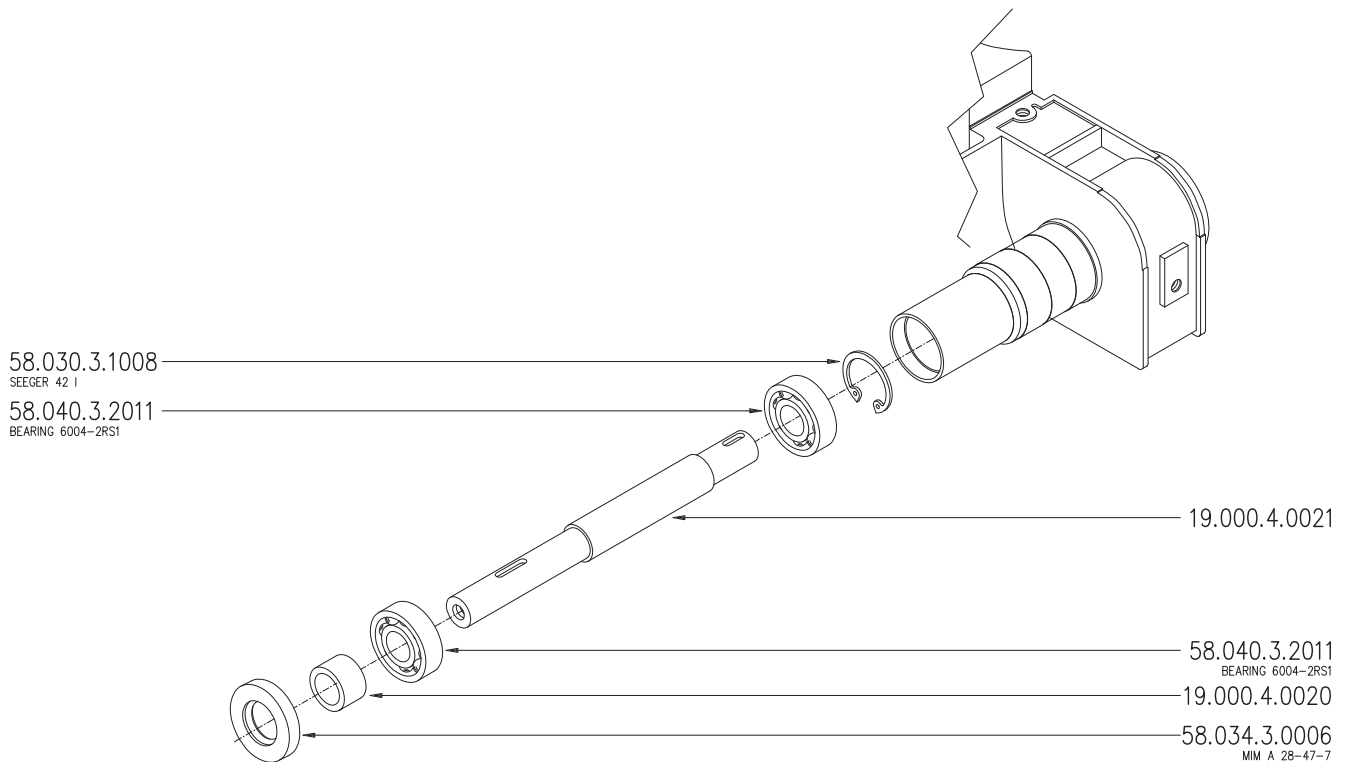
# Bona Belt Lite KÜNZLE & TASIN

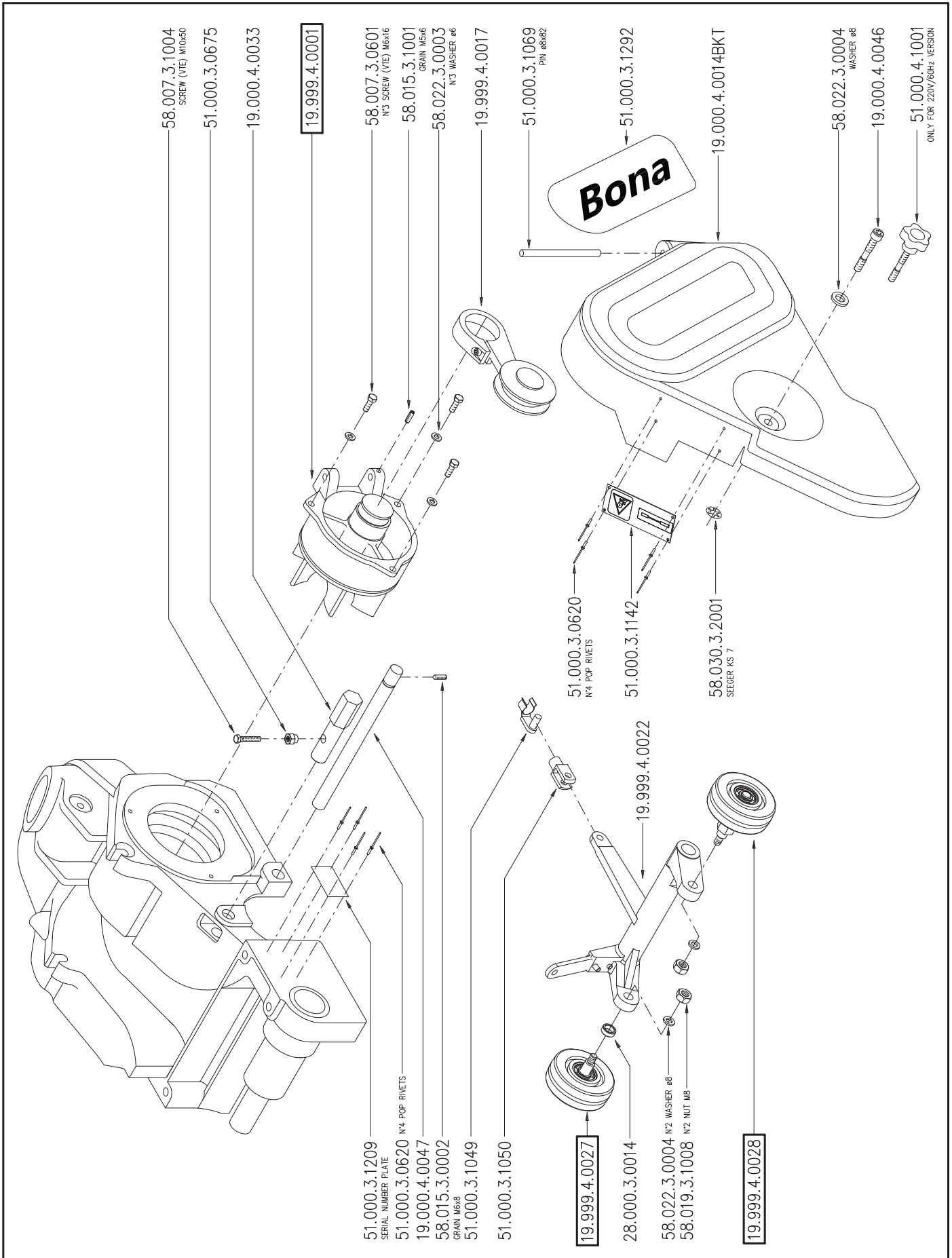
# 19.999.4.0001

## SUCTION GROUP



## BUSH DRUM GROUP





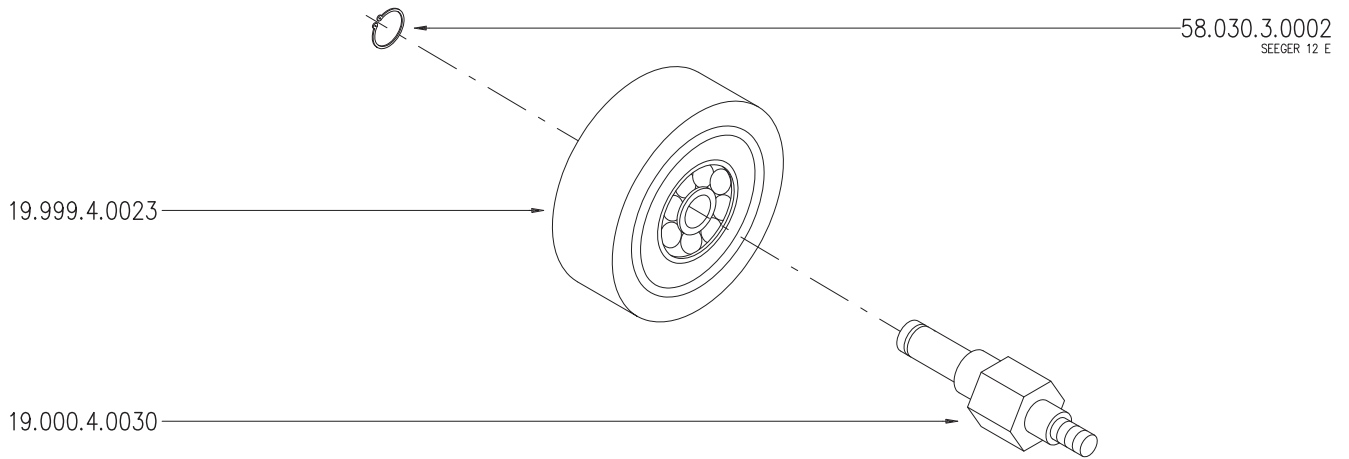
# Bona Belt Lite





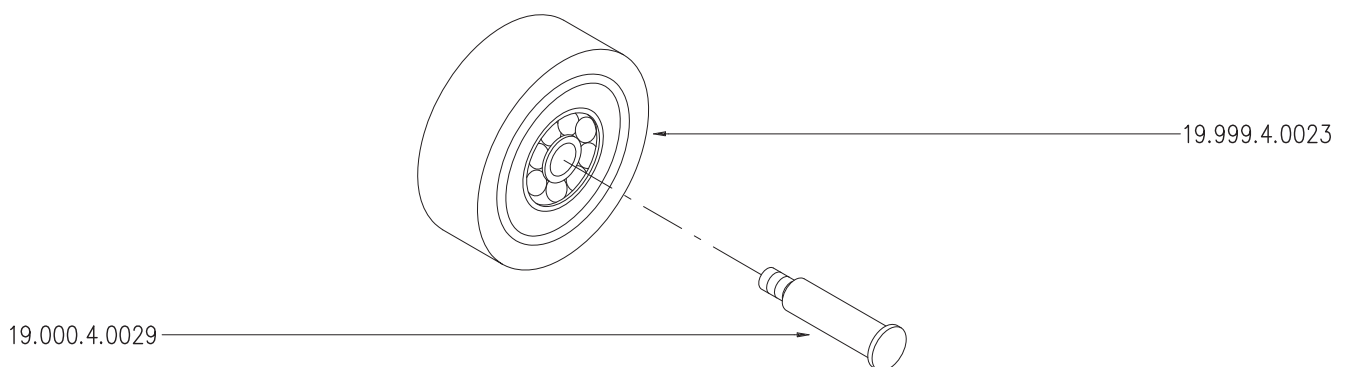
# 19.999.4.0028

ECCENTRIC WHEEL GROUP



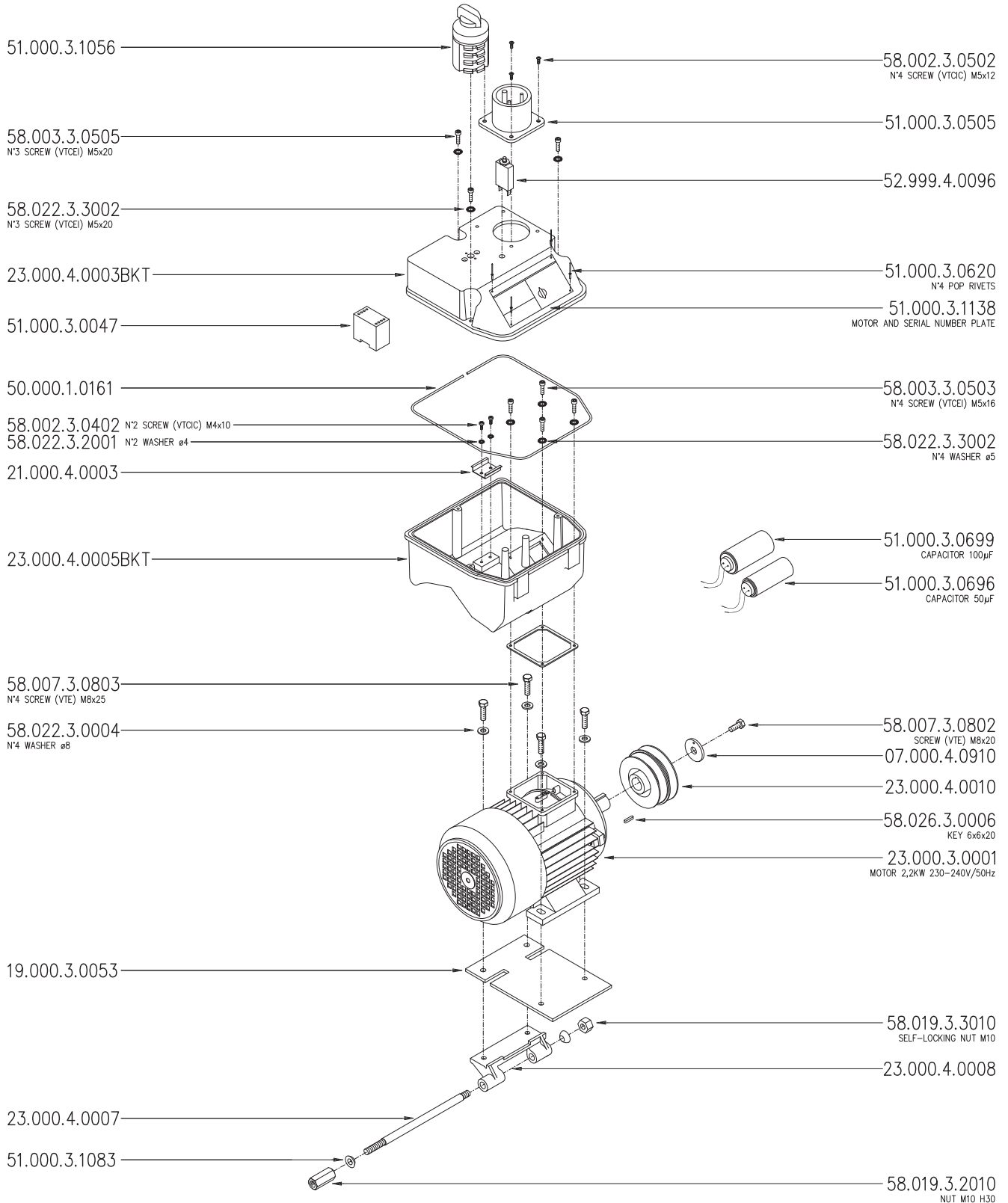
# 19.999.4.0027

FIXED WHEEL GROUP



# 23.999.5.0000BKT

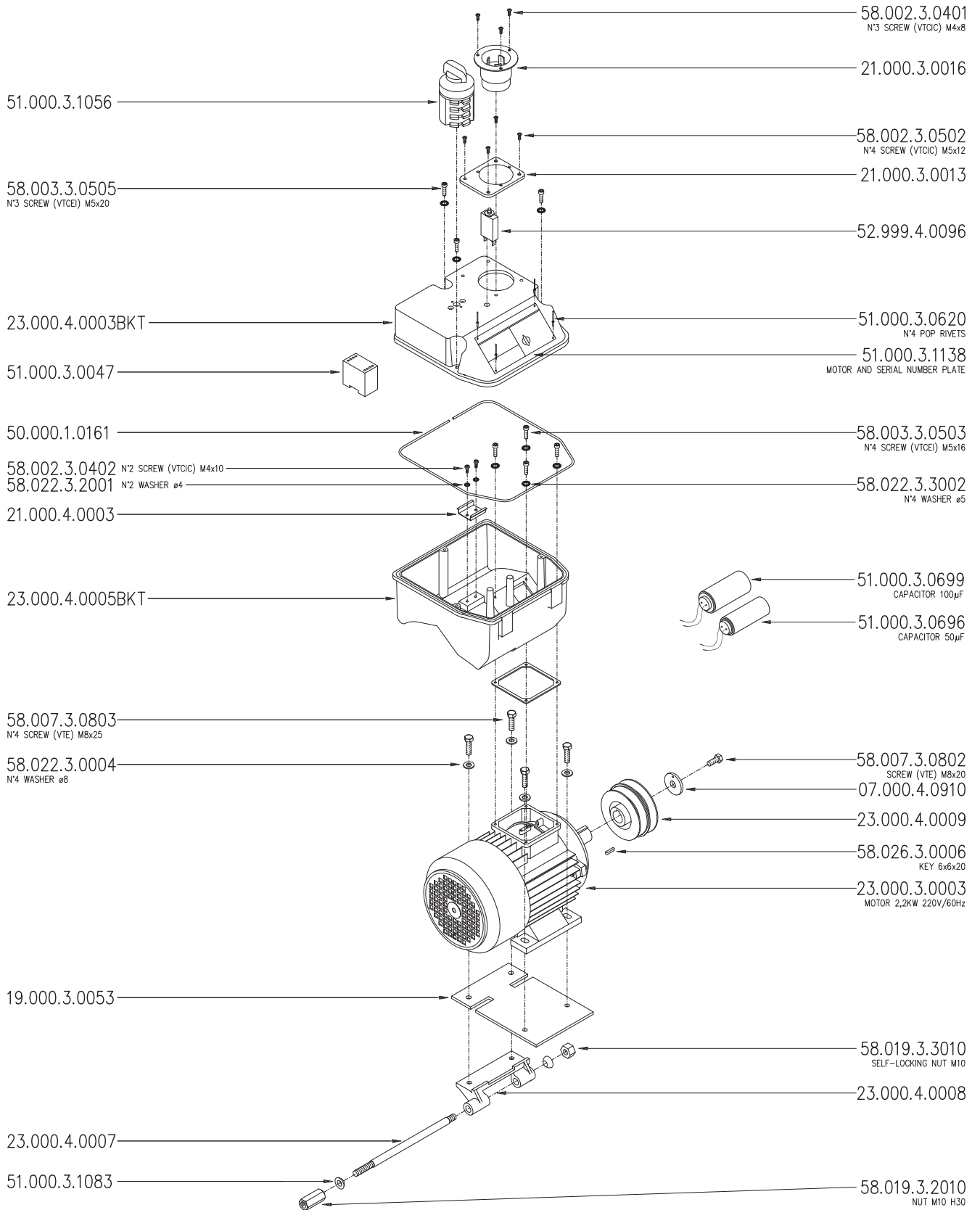
COMPLETE MOTOR 2,2KW 230-240V/50Hz RAL 9006



Bona Belt Lite by  KÜNZLE & TASIN

# 23.999.5.0001BKT

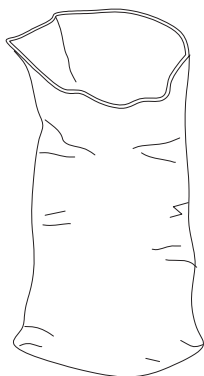
COMPLETE MOTOR 2,2KW 220V/60Hz RAL 9006



Bona Belt Lite by  KÜNZLE & TASIN

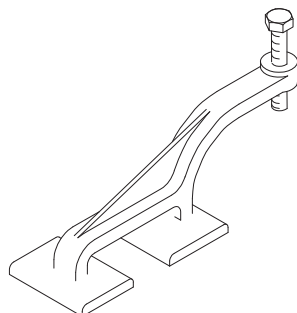
52.999.4.0170

FABRIC DUST BAG (WITH LOGO)



20.999.4.0045

WHEEL ADJUSTMENT TOOL

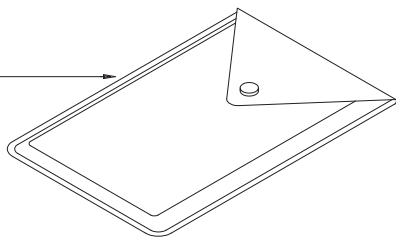


19.999.4.0021

TOOLBAG

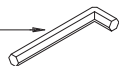
51.000.3.0144

BORSA IN PVS



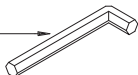
02.000.3.0299

BRUGOLA DA 5



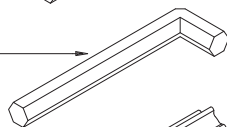
51.000.3.1085

BRUGOLA DA 6



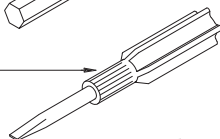
51.000.4.0150

BRUGOLA DA 12



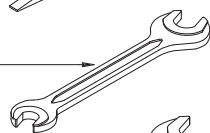
51.000.3.0145

CACCIAVITE DOPPIO USO



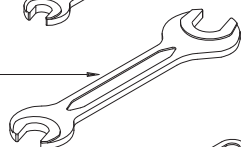
51.000.3.1021

CHIAVE FISSA 10/13



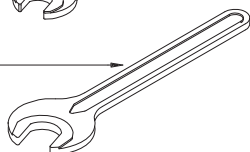
51.000.3.0147

CHIAVE FISSA 14/17



07.000.3.1016

CHIAVE FISSA 19



Bona Belt Lite

by  KÜNZLE & TASIN